



Corpi standard con cavità SAE *SAE cavity standard bodies*

- Da SAE08 a SAE20 - *From SAE08 to SAE20*
- A 2, 3, 4 vie - *2, 3, 4 way*

Condizioni di lavoro - *Working conditions*

Materiale - <i>Material</i>	Alluminio - <i>Aluminium</i>	Acciaio zincato - <i>Galvanized steel</i>
Pressione massima - <i>Max pressure</i>	210 bar - <i>3050 psi</i>	350 bar - <i>5100 psi</i>
Cavità - <i>Cavity</i>	da SAE08 a SAE20 - <i>from SAE08 to SAE20</i>	
Filettatura bocche - <i>Ports thread</i>	fino a G1" e 1"5/8-12UN (SAE16) - <i>up to G1" and 1"5/8-12UN (SAE16)</i>	

Corpi a 2 vie - 2 way bodies

Composizione della descrizione
Description composition

3/CC/- □ □ /20/ □ □ -1

Cavità
Cavity

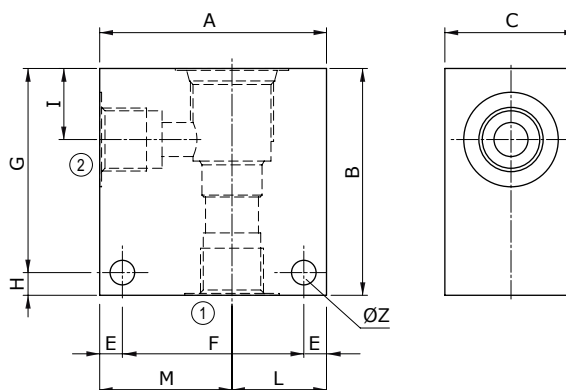
08
10
12
16

Bocche
Ports

B) G 1/4
C) G 3/8
D) G 1/2
E) G 3/4
F) G 1"
J) SAE06
K) SAE08
L) SAE10
M) SAE12
N) SAE16

Materiale
Materials

1) Alluminio
Aluminium
2) Acciaio
Steel



Cavità Cavity	Bocche Ports	Dimensioni - Dimensions											Codici di ordinazione Ordering code			
		A	B	C	E	F	G	H	I	L	M	ØZ	Alluminio Aluminium	Acciaio Steel		
SAE 08/2	G 1/4	mm	50	50	30	6	38	44	6	14.8	20	30	6.5	3CC0820B11	3CC0820B21	
		in	1.97	1.97	1.18	0.24	1.50	1.73	0.24	0.58	0.79	1.18	0.26			
	G 3/8	mm	50	50	30	6	38	44	6	14.8	20	30	6.5	3CC0820C11	3CC0820C21	
		in	1.97	1.97	1.18	0.24	1.50	1.73	0.24	0.58	0.79	1.18	0.26			
	G 1/2	mm	60	60	35	6	48	54	6	18	25	35	6.5	3CC0820D11	/	
		in	2.36	2.36	1.38	0.24	1.89	2.16	0.24	0.71	0.98	1.38	0.26			
SAE06	J	mm	50	50	30	6	38	44	6	14.8	20	30	6.5	3CC0820J11	3CC0820J21	
		in	1.97	1.97	1.18	0.24	1.50	1.73	0.24	0.58	0.79	1.18	0.25			
SAE08	K	mm	60	60	30	6	48	54	6	14	25	35	6.5	3CC0820K11	3CC0820K21	
		in	2.36	2.36	1.18	0.24	1.89	2.16	0.24	0.55	0.98	1.38	0.25			
SAE 10/2	G 1/4	mm	60	60	35	6	48	54	6	18.8	25	35	6.5	3CC1020B11	3CC1020B21	
		in	2.36	2.36	1.38	0.24	1.89	2.12	0.24	0.74	0.98	1.38	0.26			
	G 3/8	mm	60	60	35	6	48	54	6	18.8	25	35	6.5	3CC1020C11	3CC1020C21	
		in	2.36	2.36	1.38	0.24	1.89	2.12	0.24	0.74	0.98	1.38	0.26			
	G 1/2	mm	60	60	35	6	48	54	6	18.8	25	35	6.5	3CC1020D11	3CC1020D21	
		in	2.36	2.36	1.38	0.24	1.89	2.12	0.24	0.74	0.98	1.38	0.26			
	SAE06	L	mm	60	70	35	6	48	64	6	18.8	25	35	6.5	3CC1020J11	3CC1020J21
			in	2.36	2.75	1.38	0.24	1.89	2.52	0.24	0.74	0.98	1.38	0.26		
	SAE08	M	mm	70	70	35	6	58	64	6	18.5	35	35	6.5	3CC1020K11	3CC1020K21
			in	2.75	2.75	1.38	0.24	2.28	2.52	0.24	0.73	1.38	1.38	0.26		
SAE10	N	mm	70	70	40	8	54	62	8	22	30	40	8.5	3CC1020L11	3CC1020L21	
		in	2.75	2.75	1.57	0.31	2.12	2.44	0.31	0.87	1.18	1.57	0.33			

Corpi a 2 vie - 2 way bodies

Cavità Cavity	Bocche Ports	Dimensioni - Dimensions											Codici di ordinazione Ordering code		
		A	B	C	E	F	G	H	I	L	M	ØZ	Alluminio Aluminium	Acciaio Steel	
SAE 12/2	G 1/2	mm	70	80	40	8	54	72	8	25	30	40	8.5	3CC1220D11	3CC1220D21
		in	2.75	3.15	1.57	0.31	2.12	2.83	0.31	0.98	1.18	1.57	0.33		
	G 3/4	mm	70	90	40	8	54	82	8	25	30	40	8.5	3CC1220E11	3CC1220E21
		in	2.75	3.54	1.57	0.31	2.12	3.23	0.31	0.98	1.18	1.57	0.33		
	SAE10	mm	70	85	40	8	54	77	8	25	30	40	8.5	3CC1220L11	3CC1220L21
		in	2.75	3.35	1.57	0.31	2.12	3.03	0.31	0.98	1.18	1.57	0.33		
SAE12	mm	70	85	40	8	54	77	8	25	30	40	8.5	3CC1220M11	3CC1220M21	
	in	2.75	3.35	1.57	0.31	2.12	3.03	0.31	0.98	1.18	1.57	0.33			
SAE 16/2	G 1/2	mm	80	90	50	10	60	80	10	25	35	45	10.5	3CC1620D11	3CC1620D21
		in	3.15	3.54	1.97	0.39	2.36	3.15	0.39	0.98	1.38	1.77	0.41		
	G 3/4	mm	80	90	50	10	60	80	10	25	35	45	10.5	3CC1620E11	3CC1620E21
		in	3.15	3.54	1.97	0.39	2.36	3.15	0.39	0.98	1.38	1.77	0.41		
	G 1	mm	85	100	60	10	65	90	10	23.5	40	45	10.5	3CC1620F11	3CC1620F210
		in	3.35	3.94	2.36	0.39	2.56	3.54	0.39	0.92	1.57	1.77	0.41		
	SAE12	mm	80	90	50	10	60	80	10	25	35	45	10.5	3CC1620M11	3CC1620M21
		in	3.15	3.54	1.97	0.39	2.36	3.15	0.39	0.98	1.38	1.77	0.41		
	SAE16	mm	80	100	50	10	60	90	10	25	35	45	10.5	3CC1620N11	3CC1620N21
		in	3.15	3.94	1.97	0.39	2.36	3.54	0.39	0.98	1.38	1.77	0.41		

Corpi a 3 vie - 3 way bodies

Composizione della descrizione
Description composition

3/CC/- □ □ /30/ □ □ -1

Cavità
Cavity

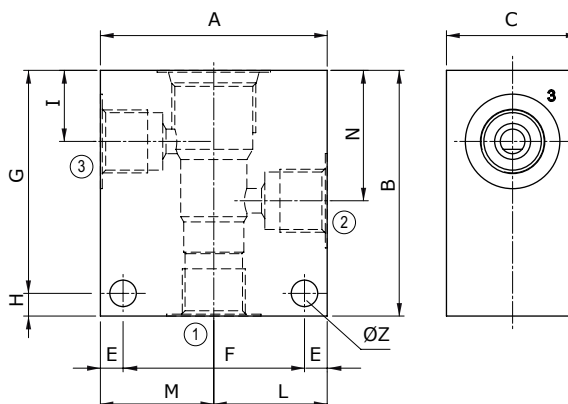
08
10
10Q
12
16
16Q

Bocche
Ports

B) G 1/4
C) G 3/8
D) G 1/2
E) G 3/4
F) G 1"
J) SAE06
K) SAE08
L) SAE10
M) SAE12
N) SAE16

Materiale
Materials

1) Alluminio
Aluminium
2) Acciaio
Steel



Cavità Cavity	Bocche Ports	Dimensioni - Dimensions												Codici di ordinazione Ordering code			
		A	B	C	E	F	G	H	I	L	M	N	ØZ	Alluminio Aluminium	Acciaio Steel		
SAE 08/3	G 1/4	mm	60	60	30	7	46	48	12	14.8	30	30	29.1	6.5	3CC0830B11	3CC0830B21	
		in	2.36	2.36	1.18	0.27	1.81	1.89	0.47	0.58	1.18	1.18	1.14	0.25			
	G 3/8	mm	60	60	30	7	46	48	12	14.5	30	30	29.1	6.5	3CC0830C11	3CC0830C21	
		in	2.36	2.36	1.18	0.27	1.81	1.89	0.47	0.57	1.18	1.18	1.14	0.25			
	G 1/2	mm	70	65	35	7	56	53	12	14.5	35	35	29.1	6.5	3CC0830D11	/	
		in	2.75	2.56	1.38	0.27	2.20	2.09	0.47	0.57	1.38	1.38	1.14	0.25			
SAE06	G 1/2	mm	60	60	30	7	46	48	12	14.5	30	30	29.1	6.5	3CC0830J11	3CC0830J21	
		in	2.36	2.36	1.18	0.27	1.81	1.89	0.47	0.57	1.18	1.18	1.14	0.25			
SAE08	G 1/2	mm	60	60	30	7	46	48	12	15	30	30	29	6.5	3CC0830K11	3CC0830K11	
		in	2.36	2.36	1.18	0.27	1.81	1.89	0.47	0.59	1.18	1.18	1.14	0.25			
SAE 08/3C	G 3/8	mm	60	50	30	7	46	40	10	14.5	30	30	22	6.5	3CC0833C11	/	
		in	2.36	1.97	1.18	0.27	1.81	1.57	0.39	0.57	1.18	1.18	0.87	0.25			
SAE 10/3	G 1/4	mm	60	65	35	6	48	59	6	18	30	30	34.5	7	3CC1030B11	3CC1030B21	
		in	2.36	2.56	1.38	0.24	1.89	2.32	0.24	0.70	1.18	1.18	1.36	0.27			
	G 3/8	mm	60	65	35	6	48	59	6	18.8	30	30	34.5	7	3CC1030C11	3CC1030C21	
		in	2.36	2.56	1.38	0.24	1.89	2.32	0.24	0.74	1.18	1.18	1.36	0.27			
	G 1/2	mm	65	70	35	6	53	64	6	18.8	32.5	32.5	34.5	7	3CC1030D11	3CC1030D21	
		in	2.56	2.75	1.38	0.24	2.09	2.52	0.24	0.74	1.28	1.28	1.36	0.27			
	SAE06	G 1/2	mm	65	70	35	6	53	64	6	18.8	32.5	32.5	34.5	7	3CC1030J11	3CC1030J21
			in	2.56	2.75	1.38	0.24	2.09	2.52	0.24	0.74	1.28	1.28	1.36	0.27		
	SAE08	G 1/2	mm	65	70	35	6	53	64	6	18.8	32.5	32.5	34.5	7	3CC1030K11	3CC1030K21
			in	2.56	2.75	1.38	0.24	2.09	2.52	0.24	0.74	1.28	1.28	1.36	0.27		
SAE10	G 1/2	mm	65	70	35	6	53	64	6	18	31.5	33.5	34.5	7	3CC1030L11	3CC1030L21	
		in	2.56	2.75	1.38	0.24	2.09	2.52	0.24	0.70	1.24	1.32	1.36	0.27			

Corpi a 3 vie - 3 way bodies

Cavità Cavity	Bocche Ports	Dimensioni - Dimensions													Codici di ordinazione Ordering code		
		A	B	C	E	F	G	H	I	L	M	N	ØZ	Alluminio Aluminium	Acciaio Steel		
SAE 10/3Q	ports 1-2 = G 1/2 port 3 = G 1/4	mm	60	70	35	6	48	64	6	14,8	30	30	31.7	7	/	3CC1032D21	
		in	2.36	2.75	1.38	0.24	1.89	2.52	0.24	0.58	1.18	1.18	1.25	0.27			
SAE 12/3	G 1/2	mm	70	100	40	8	54	92	8	25	35	35	53.5	8.5	3CC1230D11	3CC1230D21	
		in	2.75	3.94	1.57	0.31	2.12	3.6	0.31	0.98	1.38	1.38	2.10	0.33			
	G 3/4	mm	90	100	50	10	70	90	10	25.1	45	45	53.5	10.5	3CC1230E11	3CC1230E21	
		in	3.54	3.94	1.97	0.39	2.75	3.54	0.39	0.99	1.77	1.77	2.11	0.41			
	SAE10	mm	80	100	40	8	64	92	8	25	40	40	53.5	8.5	3CC1230L11	3CC1230L21	
		in	3.15	3.94	1.57	0.31	2.52	3.6	0.31	0.98	1.57	1.57	2.11	0.33			
	SAE12	mm	80	100	45	8	64	92	8	25	40	40	53.5	8.5	3CC1230M11	3CC1230M21	
		in	3.15	3.94	1.77	0.31	2.52	3.6	0.31	0.98	1.57	1.57	2.11	0.33			
	SAE 16/3	G 1/2	mm	90	100	50	10	70	90	10	25	45	45	53.5	10.5	3CC1630D11	3CC1630D21
			in	3.54	3.94	1.97	0.39	2.75	3.54	0.39	0.98	1.77	1.77	2.11	0.41		
G 3/4		mm	90	100	50	10	70	90	10	25.1	45	45	53.5	10.5	3CC1630E11	3CC1630E21	
		in	3.54	3.94	1.97	0.39	2.75	3.54	0.39	0.99	1.77	1.77	2.11	0.41			
G 1		mm	90	105	50	10	70	95	10	25	46	44	53.5	10.5	3CC1630F11	3CC1630F21	
		in	3.54	4.13	1.97	0.39	2.75	3.74	0.39	0.98	1.81	1.73	2.11	0.41			
SAE12		mm	90	105	50	10	70	95	10	25.1	45	45	53.5	10.5	3CC1630M11	3CC1630M21	
		in	3.54	4.13	1.97	0.39	2.75	3.74	0.39	0.99	1.77	1.77	2.11	0.41			
SAE16		mm	90	105	50	10	70	95	10	25.1	45	45	53.5	10.5	3CC1630N11	3CC1630N21	
		in	3.54	4.13	1.97	0.39	2.75	3.74	0.39	0.99	1.77	1.77	2.11	0.41			
SAE 16/3Q	ports 1-2 = G 3/4 port 3 = G 1/4	mm	80	85	50	10	60	75	10	17.2	40	40	38.1	10.5	/	3CC1632E21	
		in	3.15	3.35	1.97	0.39	2.36	2.95	0.39	0.68	1.57	1.57	1.50	0.41			

Corpi a 4 vie - 4 way bodies

Composizione della descrizione
Description composition

3/CC/- □ □ /40/ □ □ -1

Cavità
Cavity

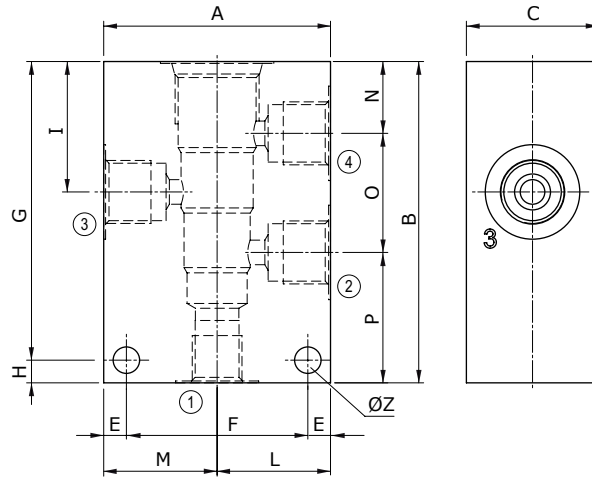
08
10
12
16

Bocche
Ports

B) G 1/4
C) G 3/8
D) G 1/2
E) G 3/4
F) G 1"
J) SAE06
K) SAE08
L) SAE10
M) SAE12
N) SAE16

Materiale
Materials

1) Alluminio
Aluminium
2) Acciaio
Steel



Cavità Cavity	Bocche Ports	Dimensioni - Dimensions														Codici di ordinazione Ordering code			
		A	B	C	E	F	G	H	I	L	M	N	O	P	ØZ	Alluminio Aluminium	Acciaio Steel		
SAE 08/4	G 1/4	mm	60	75	30	7	46	63	12	29.1	30	30	14.8	29.1	31.1	6.5	3CC0840B11	3CC0840B21	
		in	2.36	2.95	1.18	0.27	1.81	2.48	0.47	1.14	1.18	1.18	0.58	1.14	1.22	0.25			
	G 3/8	mm	60	75	30	7	46	63	12	29.1	30	30	14.8	28.6	31.6	6.5	3CC0840C11	3CC0840C21	
		in	2.36	2.95	1.18	0.27	1.81	2.48	0.47	1.14	1.18	1.18	0.58	1.13	1.24	0.25			
	SAE6	SAE6	mm	60	75	30	7	46	63	12	29.1	30	30	14.8	29.1	31.1	6.5	3CC0840J11	3CC0840J21
			in	2.36	2.95	1.18	0.27	1.81	2.48	0.47	1.14	1.18	1.18	0.58	1.14	1.22	0.25		
SAE8	SAE8	mm	60	75	30	7	46	63	12	29	30	30	15	28.5	31.5	6.5	3CC0840K11	3CC0840K21	
		in	2.36	2.95	1.18	0.27	1.81	2.48	0.47	1.14	1.18	1.18	0.59	1.12	1.24	0.25			
SAE 10/4	G 1/4	mm	60	85	35	6	48	79	6	34.5	30	30	19	31.5	34.5	7	3CC1040B11	3CC1040B21	
		in	2.36	3.35	1.38	0.24	1.89	3.11	0.24	1.36	1.18	1.18	0.75	1.24	1.36	0.27			
	G 3/8	mm	60	85	35	6	48	79	6	34.5	30	30	18.8	31.7	34.5	7	3CC1040C11	3CC1040C21	
		in	2.36	3.35	1.38	0.24	1.89	3.11	0.24	1.36	1.18	1.18	0.74	1.25	1.36	0.27			
	G 1/2	mm	70	85	35	6	58	79	6	34.5	35	35	18.8	31.7	34.5	7	3CC1040D11	3CC1040D21	
		in	2.75	3.35	1.38	0.24	2.28	3.11	0.24	1.36	1.38	1.38	0.74	1.25	1.36	0.27			
	SAE6	SAE6	mm	60	85	35	6	48	79	6	34.5	30	30	18.8	31.7	34.5	7	3CC1040J11	3CC1040J21
			in	2.36	3.35	1.38	0.24	1.89	3.11	0.24	1.36	1.18	1.18	0.74	1.25	1.36	0.27		
	SAE8	SAE8	mm	70	85	35	6	58	79	6	34.5	35	35	18.8	31.7	34.5	7	3CC1040K11	3CC1040K21
			in	2.75	3.35	1.38	0.24	2.28	3.11	0.24	1.36	1.38	1.38	0.74	1.25	1.36	0.27		
	SAE10	SAE10	mm	70	85	35	6	58	79	6	34.5	35	35	19	31.5	34.5	7	3CC1040L11	3CC1040L11
			in	2.75	3.35	1.38	0.24	2.28	3.11	0.24	1.36	1.38	1.38	0.75	1.24	1.36	0.27		

Corpi a 4 vie - 4 way bodies

Cavità Cavity	Bocche Ports	Dimensioni - Dimensions														Codici di ordinazione Ordering code		
		A	B	C	E	F	G	H	I	L	M	N	O	P	ØZ	Alluminio Aluminium	Acciaio Steel	
SAE 12/4	G 3/8	mm	80	115	40	8	64	107	8	44	40	40	22	44.5	48.5	8.5	3CC1240C11	3CC1240C21
		in	3.15	4.53	1.57	0.31	2.52	4.21	0.31	1.73	1.57	1.57	0.87	1.75	1.9	0.33		
	G 1/2	mm	80	115	40	8	64	107	8	44	40	40	22	44.5	48.5	8.5	3CC1240D11	3CC1240D21
		in	3.15	4.53	1.57	0.31	2.52	4.21	0.31	1.73	1.57	1.57	0.87	1.75	1.9	0.33		
	SAE10	mm	80	115	40	8	64	107	8	44	40	40	22	44.5	48.5	8.5	3CC1240L11	3CC1240L21
		in	3.15	4.53	1.57	0.31	2.52	4.21	0.31	1.73	1.57	1.57	0.87	1.75	1.9	0.33		
SAE 16/4	G 3/4	mm	100	130	50	10	80	120	10	53.5	50	50	25.1	56.9	48	10.5	3CC1640E11	3CC1640E21
		in	3.94	5.12	1.97	0.39	3.15	4.72	0.39	2.11	1.97	1.97	0.99	2.24	1.89	0.41		
	SAE16	mm	100	130	50	10	80	120	10	53.5	50	50	25.1	56.9	48	10.5	3CC1640N11	3CC1640N21
		in	3.94	5.12	1.97	0.39	3.15	4.72	0.39	2.11	1.97	1.97	0.99	2.24	1.89	0.41		

